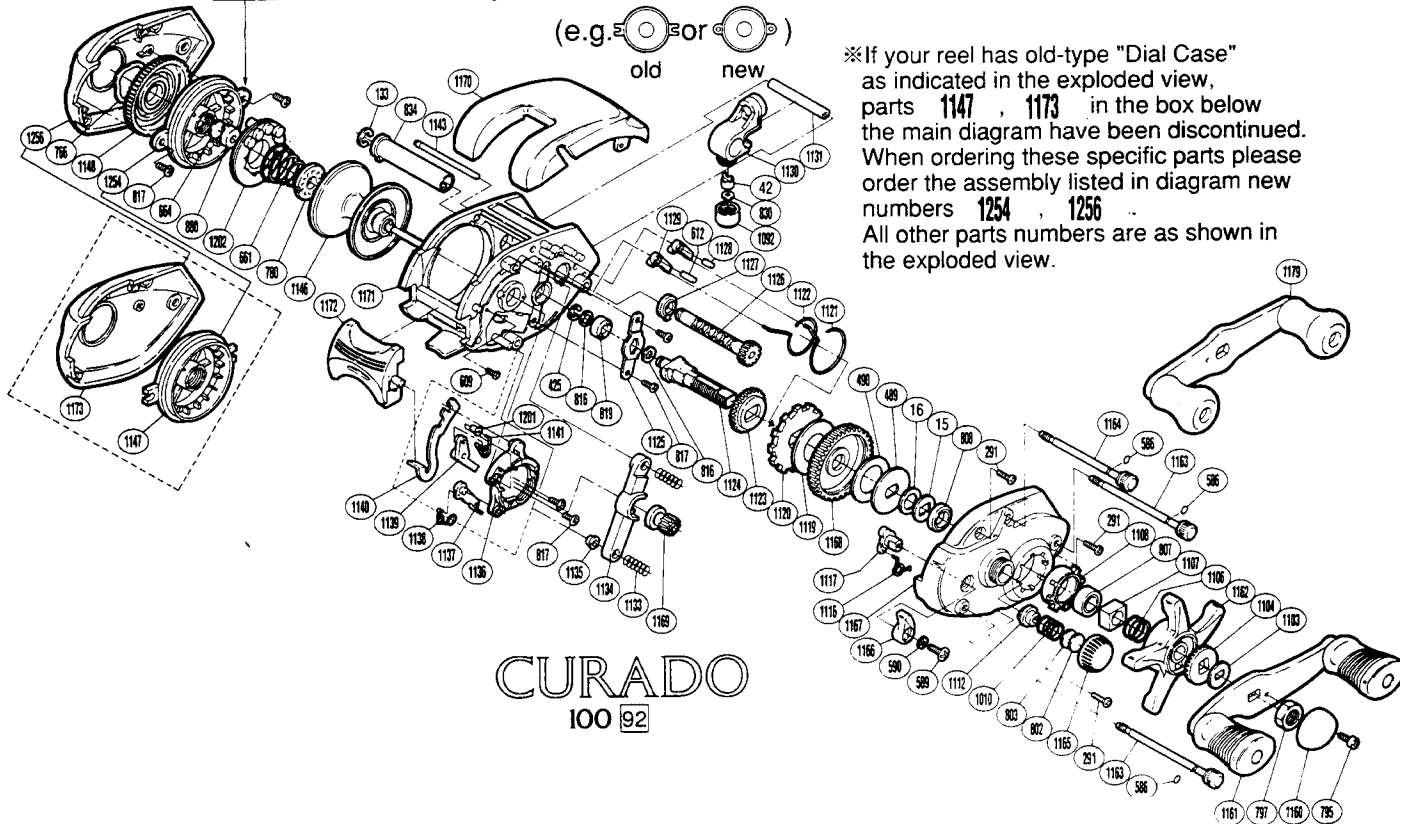


# SHIMANO®

## 1992 REPAIR MANUAL

Shimano American Corporation, One Shimano Dr.  
Irvine, CA 92718

※Please check this eared part of the "Dial Case"  
here to see whether you have old or new-type reel.



BNT No.	PARTS NAMES	BNT No.	PARTS NAMES	BNT No.	PARTS NAMES
0015	Drag Spring Washer	1092	Pawl Cap	1141	Retractor Spring
0016	Friction Washer (C)	1103	Friction Washer (A)	1143	Thumb Rest Support
0042	Line Guide Pawl	1104	Click Gear	1146	Spool Assembly
0133	Worm Shaft Retainer	1106	Star Drag Spring	1148	Magnetic Control Dial
0291	Right Side Plate Screw	1107	Star Drag Nut	1160	Handle Nut Cover
0425	Drive Shaft Lock	1108	Bearing Holder	1161	Twin Power Handle Assembly
0489	Key Washer (A)	1112	Spool Shaft Bushing (A)	1162	Star Drag
0490	Drag Washer (B)	1116	Cam Spring	1163	Side Plate Bolt (A)
0586	Bolt Retainer	1117	Flipping Cam	1164	Side Plate Bolt (B)
0589	Flipping Lever Screw	1119	Drag Washer (A)	1165	Cast Control Cap
0590	Lock Washer	1120	Anti-Reverse Ratchet	1166	Flipping Lever
0609	Clutch Plate Retainer Screw	1121	Anti-Reverse Pawl Spring (B)	1167	Right Side Plate
0612	Anti-Reverse Pawl Pin (A)	1122	Anti-Reverse Pawl Spring (A)	1168	Drive Gear
0661	Magnet Retainer Spring	1123	Idle Gear	1169	Pinion Gear
0664	Spacer (B)	1124	Drive Shaft	1170	Thumb Rest
0766	Dial Friction Washer	1125	Drive Shaft Retainer	1171	One-Piece Frame
0780	Magnet Retainer Lock	1126	Worm Shaft	1172	Quick-Fire II Clutch Bar
0795	Handle Nut Cover Screw	1127	Worm Bearing	1179	Handle Assembly (spare)
0797	Handle Nut	1128	Anti-Reverse Pawl Pin (B)	1201	Retractor Spring Collar
0802	Spool Tension Spacer (B)	1129	Anti-Reverse Pawl	1202	Magnet Retainer
0803	Spool Tension Spacer (A)	1130	Line Guide	1254	Dial Case
0807	Drive Shaft Bearing	1131	Stabilizer Bar	1256	Left Side Plate
0808	Friction Washer (B)	1133	Yoke Spring		
0816	Drive Shaft Washer	1134	Yoke		
0817	Multi Purpose Screw	1135	Yoke Spacer		
0819	Drive Shaft Bushing	1136	Clutch Cam		
0830	Spacer (optional)	1137	Clutch Pawl		
0834	Level Wind Guard	1138	Clutch Pawl Spring		
0880	Spool Shaft Bushing (B)	1139	Joint Plate	1147	Dial Case
1010	Spool Tension Spring	1140	Clutch Plate	1173	Left Side Plate

Prices and specifications subject to change without notice

(030508)